

FUSED DISCONNECT Double-throw Switches

Product Models

Catalog Number	Single Phase (240 Vac) UL Listed	Approximate Weight (lbs.)
7225	200 A Double-pole Double-throw / Class T 300 V Fuse*	52
7426-300	300 A Double-pole Double-throw / Class T 300 V Fuse*	74
7426	400 A Double-pole Double-throw / Class T 300 V Fuse*	74

*One set of fuses is included with each switch.
Above switches are suitable for use as service equipment.

Wire Ranges

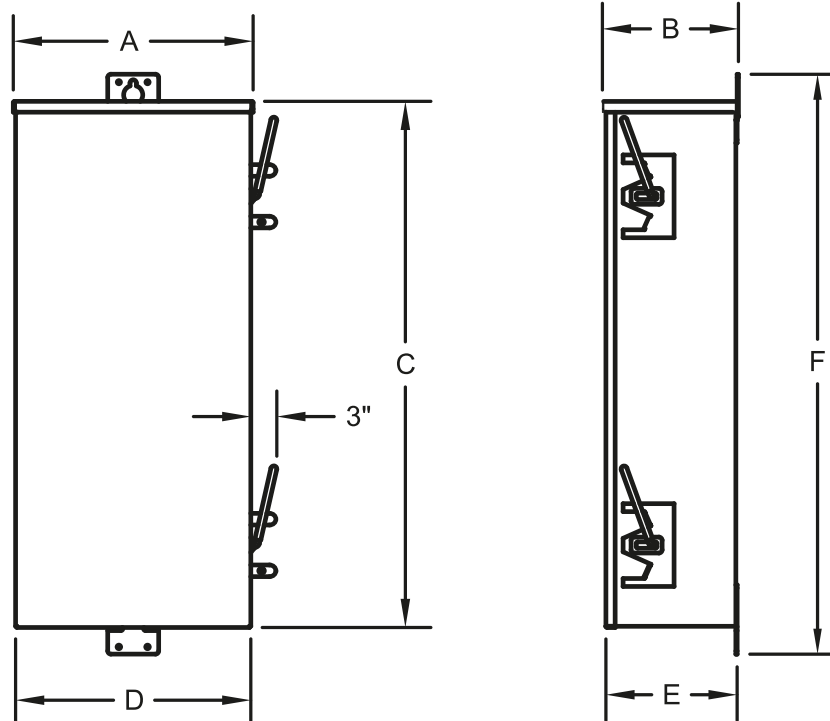
Catalog Number	Line Lugs	Load Lugs	Neutral Bar
7225	250 MCM—#6 Cu-Al (1-Hole Lug)	250 MCM—#6 Cu-Al (4-Hole Lug)	350 MCM—#6 Cu-Al (4-Hole Bar)
7426-300	(2) 250 MCM—1/0 or (1) 600 MCM—#4 Cu-Al (1-Hole Lug)	250 MCM—#6 Cu-Al (4-Hole Lug)†	350 MCM—#6 Cu-Al (6-Hole Bar)†
7426			

† Alternate available for 600 MCM conductor.
Contact RONK for more information.

Enclosure Dimensions (in inches)

Catalog Number	A	B	C	D	E	F	Conduit Knockout Sizes ‡
7225	18-7/8	8-5/8	41-1/4	18-1/2	8-3/8	45-1/2	(3) 1-1/2 to 2, (1) 1/2
7426-300	18-7/8	10-5/8	41-1/4	18-1/2	10-3/8	45-1/2	(2) 2-1/2 to 3, (1) 1-1/2 to 2, (1) 1/2
7426	18-7/8	10-5/8	41-1/4	18-1/2	10-3/8	45-1/2	(2) 2-1/2 to 3, (1) 1-1/2 to 2, (1) 1/2

‡ All knockouts are on bottom of switches.



RONK

Sales Information: 1-800-221-7665 • Service and Support: 1-217-563-8333

PO Box 160, 106 E State Street, Nokomis, IL 62075-0160 • sales@ronkelectrical.com • www.ronkelectrical.com

FUSED DISCONNECT Double-throw Switches

Schematic for Catalog Nos. 7225, 7426-300, & 7426

Fused Disconnect Double-throw Grade-level Switch

This switch is “Suitable for Use as Service Equipment”

Manually-operated switch suitable for use in accordance with ANSI/NFPA 70, National Electric Code.

NEMA 3R Enclosure

Locate Openings for Conduit Below Operating Handle, Unless Liquid Tight Hardware Is Used

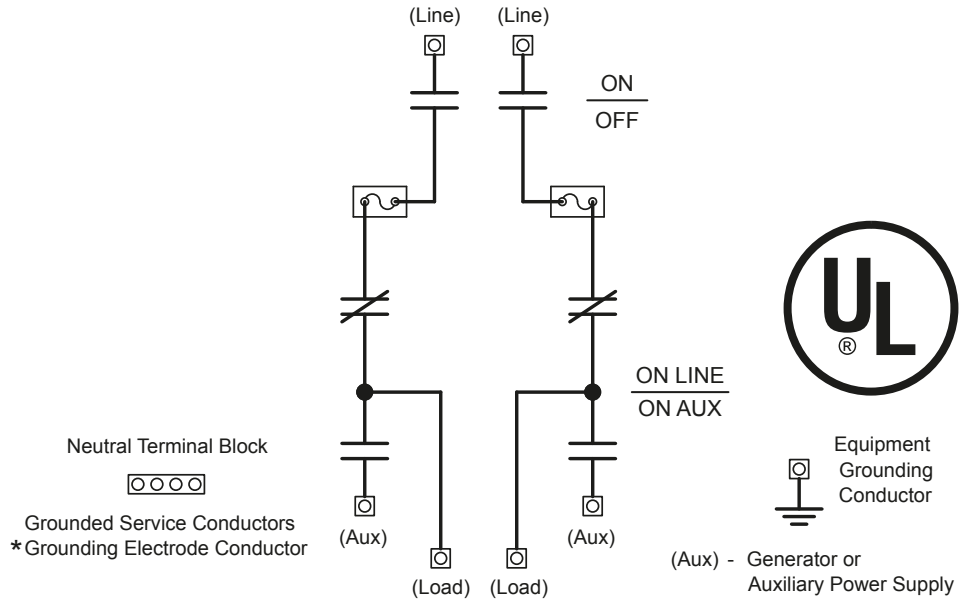
Fuse Replacement:

7225: 200A 300V Class T
 7426-300: 300A 300V Class T
 7426: 400A 300V Class T

Torque Fuse Retaining Bolts:

7225: 135 IN-LB
 7426-300: 230 IN-LB
 7426: 230 IN-LB

When installed as a transfer device between two sources of power and a common load, the fuses may be energized even if the switch is in the ON AUX position.



* If the grounding electrode's (ground rod's) conductor will be connected to this switch, the neutral block must be bonded to the switch's enclosure. To bond the neutral block to the enclosure, remove the plastic bolt located on the left-hand side of the enclosure. Replace it with the green headed bonding bolt, which can be found in the plastic accessories bag that is supplied with the switch. Also, apply the "Service Disconnect" label to the switch's cover, near the ON/OFF operating handle. If the grounding electrode's conductor will be connected somewhere other than this switch, then **do not** install the green headed bonding bolt. See Sections 230 and 250 of the NEC® for additional rules regarding Service Installations and Grounding.

Switch Catalog Number	Single-Phase Ratings		Wire Range		
	Amps	Volts	Line & Aux Lugs	Load Lugs	Neutral
7225	200	240	250 MCM-#6 (1-Hole Lug)	250 MCM-#6 (4-Hole Lug)	350 MCM-#6 (4-Hole Bar)
7426-300	300	240	(2) 250 MCM-(2) 1/0 or (1) 600 MCM-#4 (1-Hole Lug)	250 MCM-#6 (4-Hole Lug)†	350 MCM-#6 (6-Hole Bar)†
7426	400				

Use copper or aluminum wire rated 75 °C.

†Optional load lug and neutral available, suitable for 600 MCM conductors.

Wire bending space in the enclosure based on (2) 250 MCM, Not (1) 600 MCM.

WARNING: All adjustments on switch have been made at factory and must not be changed in the field.

Tightening Torque	
Socket Size (Inch)	Torque (In-Lb)
1/8	45
5/32	100
3/16	120
7/32	150
1/4	200
5/16	250
3/8	375
1/2	500
9/16	600



Sales Information: 1-800-221-7665 • Service and Support: 1-217-563-8333

PO Box 160, 106 E State Street, Nokomis, IL 62075-0160 • sales@ronkelectrical.com • www.ronkelectrical.com

TS-002_Rev2_03-2017